

特 性 FEATURES

- | | |
|--------------------------------------|---|
| ● 外形尺寸 L65×W45.9×H53mm | Dimensions L65×W45.9× H53mm |
| ● 可实现 300A 1000VAC 的高容量控制 | High capacity control of 300A 1000VAC |
| ● 触点间隙≥ 4.0mm(符合欧洲的太阳能发电标准“VDE0126”) | Contact clearance ≥4.0mm(Complies with the european solar power standard "VDE0126") |
| ● 适用于光伏逆变器领域 | Suitable for photovoltaic inverter field |
| ● 提供带辅助触点规格产品 | Provide products with auxiliary contact specifications |

触点参数 CONTACT PARAMETERS

触点形式 Contact Arrangement		1A、1A1b		
触点材料 Contact Material		银合金 Silver Alloy		
接触电阻 Contact Resistance(初始 Initial)		主触点 Main contact: ≤1mΩ (@20A 6VDC)		
		辅助触点 Auxiliary contact: ≤100mΩ (@1A 6VDC)		
最大切换电流 Max. Switching Current	—	标准款 Standard	-L	-J
	主触点 Main Contact	270A	200A	300A
	辅助触点 Auxiliary Contact	1A		
最大切换电压 Max. Switching Voltage	主触点 Main Contact	1000VAC		
	辅助触点 Auxiliary Contact	277VAC/30VDC		
最大切换功率 Max. Switching Power	主触点 Main Contact	270000VA	200000VA	300000VA
	辅助触点 Auxiliary Contact	277VA/30W		
电气寿命 ¹⁾ Electrical Life	主触点 Main Contact	AgNi	≥1×10 ⁴ 次 Ops (接通 Making 50A, 载流 Loading 270A, 断开 Breaking 50A, 1000VAC, 阻性 Res. Load, 85℃, 1s 通 On: 9s 断 Off)	
		AgSnO ₂	≥3×10 ⁴ 次 Ops (接通 Making 50A, 载流 loading 270A, 断开 breaking 50A, 1000VAC, 阻性 Res. Load, 85℃, 1s 通 On: 9s 断 Off)	
	辅助触点 Auxiliary Contact	≥1×10 ⁵ 次 Ops (1A 277VAC/30VDC, 阻性 Res. Load, 85℃, 1s 通 On: 9s 断 Off)		
机械寿命 Mechanical Life		≥3×10 ⁵ 次 Ops		

备注 Notes:

1) 电气寿命数据仅取标准款(额定负载 270A)做参考, 最终以产品确认规格书为准。The electrical life data is only based on the standard model (rated load 270A) for reference, and the final product confirmation specification shall prevail.

性能参数 CHARACTERISTICS

绝缘电阻 Insulation Resistance	1000MΩ (500VDC)
介质耐压 Dielectric Strength	线圈与主触点间 Between coil & main contacts: 5000Vrms 1min
	断开主触点间 Between open main contacts: 2000Vrms 1min
	主触点与辅助触点间 Between main contacts & auxiliary contacts: 5000Vrms 1min
	线圈与辅助触点间 Between coil & auxiliary contacts: 1000Vrms 1min
	断开辅助触点间 Between open auxiliary contacts: 1000Vrms 1min
浪涌电压 Surge Voltage	10kV (1.2/50us)
动作时间 Operate Time	≤30ms
释放时间 Release Time	≤10ms
环境温度 Ambient Temperature	-40℃~+85℃
振 动 Vibration Resistance	10Hz~55Hz 1.0mm 双振幅(DA)
冲 击 Shock Resistance	稳定性 Functional: 98m/s ² (10G)
	强 度 Destructive: 980m/s ² (100G)
引出端方式 Terminal Form	印制板式 PCB
封装形式 Construction	防焊剂型 Flux proofed
重 量 Unit Weight	不带散热器 Without heat sink: 约 Approx. 230g
	带散热器 With heat sink: 约 Approx. 270g

线圈规格表 COIL DATA (@23°C)

额定电压 Rated Voltage VDC	动作电压 Operate Voltage VDC	释放电压 Release Voltage VDC	最大允许电压 Max. Voltage VDC	线圈电阻 Coil Resistance $\Omega \pm 10\%$	线圈功耗 Coil Power W
6	≤4.2	≥0.6	7.2	12	约 Approx. 3.0
9	≤6.3	≥0.9	10.8	27	
12	≤8.4	≥1.2	14.4	48	
24	≤16.8	≥2.4	28.8	192	
6	≤4.2	≥0.6	7.2	7.2	约 Approx. 5.0
9	≤6.3	≥0.9	10.8	16.2	
12	≤8.4	≥1.2	14.4	28.8	
24	≤16.8	≥2.4	28.8	115.2	

线圈保持电压 COIL HOLDING VOLTAGE

线圈功耗 Coil Power	5.0W
保持电压 Holding Voltage	40% to 80% U_N (at 23°C) 50% to 60% U_N (at 85°C)

备注 Notes:

- 1) 线圈保持电压为线圈施加额定电压 100ms 以上的线圈电压。The coil holding voltage is the voltage of coil after being applied rated voltage for 100ms
- 2) 继电器线圈不允许长时间施加超过保持电压的上限值，防止继电器过热烧毁。The relay coil is not allowed to exceed the upper limit of the holding voltage for a long time, preventing the relay from overheating and burning.

安全认证 APPROVALS

安全认证 Approvals	UL	TUV	CQC
证书编号 Certificate No.	E313266	B1197500004	CQC23002412560
认证负载 Certification Load	AgNi: 1×10 ⁴ 次 Ops, 阻性 Resistive. 接通 Making 50A, 载流 Loading 200A, 断开 Breaking 50A, 1000VAC, 85°C 1×10 ⁴ 次 Ops, 阻性 Resistive. 接通 Making 50A, 载流 Loading 270A, 断开 Breaking 50A, 1000VAC, 85°C 1×10 ⁴ 次 Ops, 阻性 Resistive. 接通 Making 50A, 载流 Loading 300A, 断开 Breaking 50A, 1000VAC, 85°C AgSnO ₂ : 3×10 ⁴ 次 Ops, 阻性 Resistive. 接通 Making 50A, 载流 Loading 200A, 断开 Breaking 50A, 1000VAC, 85°C 3×10 ⁴ 次 Ops, 阻性 Resistive. 接通 Making 50A, 载流 Loading 270A, 断开 Breaking 50A, 1000VAC, 85°C 3×10 ⁴ 次 Ops, 阻性 Resistive. 接通 Making 50A, 载流 Loading 300A, 断开 Breaking 50A, 1000VAC, 85°C	AgSnO ₂ / AgNi: 3×10 ⁴ 次 Ops, 阻性 Resistive. 接通 Making 50A, 载流 Loading 200A, 断开 Breaking 50A, 1000VAC, 85°C 3×10 ⁴ 次 Ops, 阻性 Resistive. 接通 Making 50A, 载流 Loading 270A, 断开 Breaking 50A, 1000VAC, 85°C 3×10 ⁴ 次 Ops, 阻性 Resistive. 接通 Making 50A, 载流 Loading 300A, 断开 Breaking 50A, 1000VAC, 85°C	AgNi: 1×10 ⁴ 次 Ops, 阻性 Resistive. 接通 Making 50A, 载流 Loading 200A, 断开 Breaking 50A, 1000VAC, 85°C 1×10 ⁴ 次 Ops, 阻性 Resistive. 接通 Making 50A, 载流 Loading 270A, 断开 Breaking 50A, 1000VAC, 85°C 1×10 ⁴ 次 Ops, 阻性 Resistive. 接通 Making 50A, 载流 Loading 300A, 断开 Breaking 50A, 1000VAC, 85°C AgSnO ₂ : 3×10 ⁴ 次 Ops, 阻性 Resistive. 接通 Making 50A, 载流 Loading 200A, 断开 Breaking 50A, 1000VAC, 85°C 3×10 ⁴ 次 Ops, 阻性 Resistive. 接通 Making 50A, 载流 Loading 270A, 断开 Breaking 50A, 1000VAC, 85°C 3×10 ⁴ 次 Ops, 阻性 Resistive. 接通 Making 50A, 载流 Loading 300A, 断开 Breaking 50A, 1000VAC, 85°C

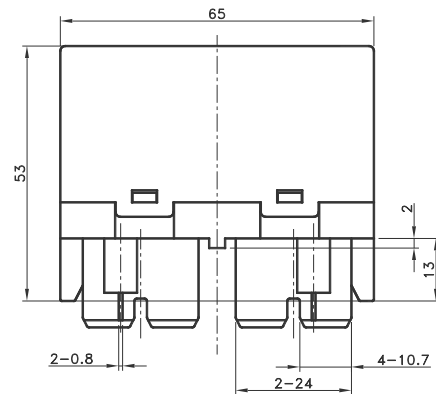
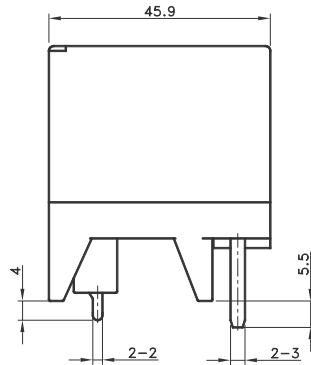
订货标记示例 ORDERING INFORMATION

		ME125	-1A	1b	-J	1	F	L	5W	6VDC
产品型号 Model	ME125									
主触点 Main Contact	1A: 1组常开 1 NO									
辅助触点 Auxiliary Contact	无 nil: 不带辅助触点 Without Auxiliary Contact b: 带 1 组常闭辅助触点 With One Group of Auxiliary Contact									
额定负载 Rated Load	无 nil: 270A; L: 200A; J: 300A									
触点材质 Contact Material	1: AgSnO ₂ /Cu; 2: AgNi/Cu									
绝缘等级 Insulation Class	F: F 级 Class									
特殊代号 Special Code	无 nil: 不带散热器 Without Heat Sink; L: 带散热器 With Heat Sink									
线圈功率 Coil Power	3W: 3W ; 5W: 5W									
线圈电压 Coil Voltage	6VDC; 9VDC; 12VDC; 24VDC									

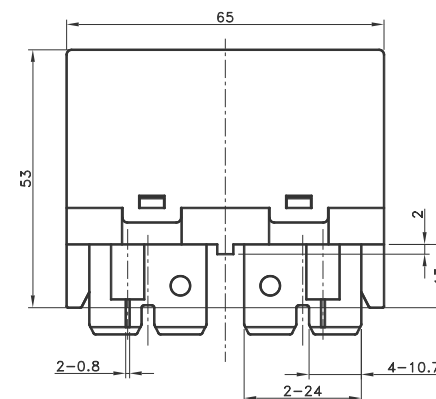
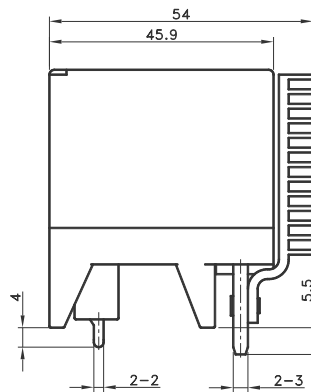
外形尺寸、接线图、安装尺寸 OUTLINE DIMENSIONS, WIRING DIAGRAM AND PCB LAYOUT (单位 Unit: mm)

外形尺寸 Outline Dimensions

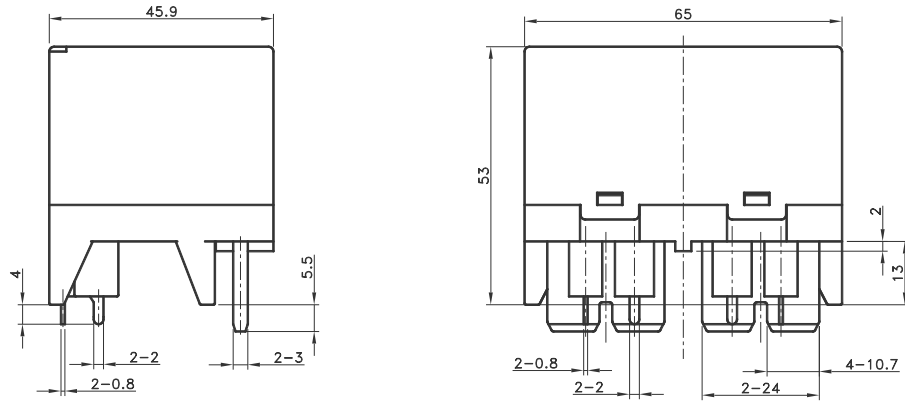
- ME125-1A-□□F:



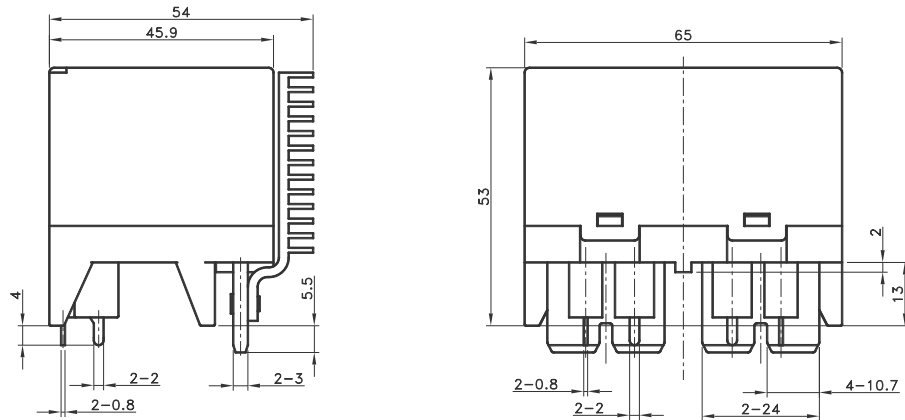
- ME125-1A-□□FL:



● ME125-1A1b-□□F:



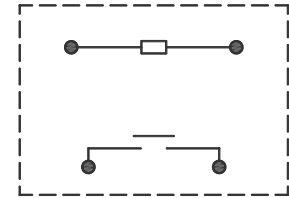
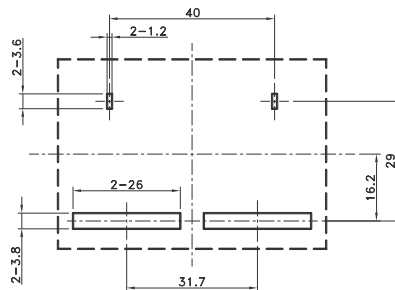
● ME125-1A1b-□□FL:



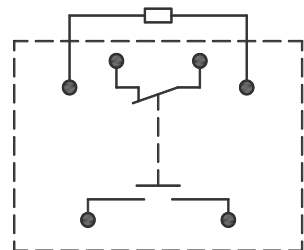
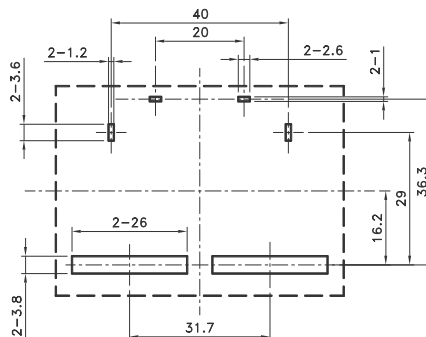
安装孔尺寸 PCB Layout
(底视 Bottom View)

接线图 Wiring Diagram
(底视 Bottom View)

● ME125-1A-□□F□:



● ME125-1A1b-□□F□:



备注 Notes:

1) 产品部分外形尺寸未注尺寸公差, 当外形尺寸 $\leq 1\text{mm}$, 公差为 $\pm 0.2\text{mm}$; 当外形尺寸在 $1\sim 5\text{mm}$ 之间时, 公差为 $\pm 0.3\text{mm}$; 当外形尺寸 $> 5\text{mm}$ 时, 公差为 $\pm 0.4\text{mm}$ 。

In case of no tolerance shown in outline dimension: outline dimension $\leq 1\text{mm}$, tolerance should be $\pm 0.2\text{mm}$; outline dimension $> 1\text{mm}$ and $\leq 5\text{mm}$, tolerance should be $\pm 0.3\text{mm}$; outline dimension $> 5\text{mm}$, tolerance should be $\pm 0.4\text{mm}$;

2) 线安装孔尺寸中未注尺寸公差的均为 $\pm 0.1\text{mm}$ 。

The tolerance without indicating for PCB layout is always $\pm 0.1\text{mm}$.

声明 STATEMENT

1. 本产品规格书仅供客户使用时参考，若有更改，恕不另行通知。

This product specification for client's reference, if any change without notice.

2. 对美硕而言，不可能评定继电器在每个具体应用领域的所有性能参数要求，因而客户应该根据具体的使用条件选择与之相匹配的产品，若有疑问，请与美硕联系获取更多的技术支持。但产品选型责任仅由客户负责。

For MEISHUO, cannot require evaluation of relays in each specific application of all the performance parameters, so customers should be selected according to the matching conditions for the use of specific products, if you have any questions, please contact us and get more technical support. However, product selection responsibility only by the customer.