

	特性 FEATURES 高触点切换能力 High contact switching capability 线圈与触点间耐压为 4KV The withstand voltage between the coil and the contact is 4KV 具有单稳态和双稳态形式 It has monostable and bistable forms 触点形式: 1A、1B、2A、2B、1AB Contact forms: 1A, 1B, 2A, 2B, 1AB 环保产品 (符合 RoHS) Eco-friendly products (RoHS compliant) 外形尺寸: 20.1×15×10.2mm Dimensions: 20.1×15×10.2mm	
--	--	--

触点参数 CONTACT PARAMETERS

触点形式 Contact Form	1A、1B(仅限双稳态型)	2A、2B、1AB
触点材料 Contact Material	银合金 Silver Alloy	
接触电阻 Contact Resistance	≤50mΩ (1A 6VDC)	
触点负载(阻性) Contact Rating(Res. Load)	10A 250VAC	8A 250VAC
最大切换电流(阻性) Max. Switching Current(Res. Load)	10A	8A
最大切换电压(阻性) Max. Switching Voltage(Res. Load)	250VAC	
最大切换功率 Max. Switching Power	2500KV	2000KV
电气寿命 Electrical Life	1×10 ⁵ 次 OPS	
机械寿命 Mechanical Life	1×10 ⁷ 次 OPS	

性能参数 CHARACTERISTICS

绝缘电阻 Insulation Resistance	1000MΩ Min. (500VDC)	
介质耐压 Dielectric Strength	触点与线圈间 Between Coil & Contacts: 4000VAC 1min	
	断开触点间 Between Open Contacts: 1000VAC 1min	
动作时间 Operate Time	≤10ms	
复归时间 Release Time	≤10ms	
冲击 Shock Resistance	稳定性 Functional	98m/s ²
	强度 Destructive	980m/s ²
振动 Vibration Resistance	10Hz~55Hz 1.5mm 双振幅 (DA)	
湿度 Humidity	5%-85%RH	
温度范围 Ambient Temperature	-40°C~85°C	
引出端方式 Termination	印制电路板式	
封装方式 Construction	塑封型、防焊剂型	
重量 Unit Weight	约 Approx.:6g	

线圈规格表 COIL DATA(23°C)

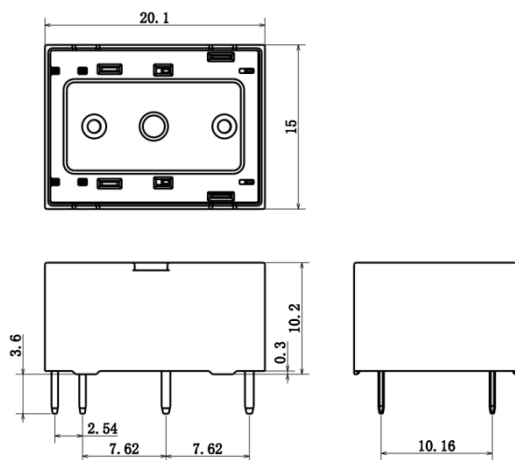
额定电压 Rated Voltage VDC	动作/复归电压 Set/Reset Voltage VDC	脉冲宽度 Pulse Duration WS	线圈电阻 Coil Resistance $\Omega \pm 10\%$		线圈功耗 Coil Power W
3	≤ 2.4	≥ 50	单线圈 双稳态 Single Coil Latching	45	约 Approx. 0.2
5	≤ 4	≥ 50		125	
6	≤ 4.8	≥ 50		180	
9	≤ 7.2	≥ 50		405	
12	≤ 9.6	≥ 50		720	
24	≤ 19.2	≥ 50		2880	
3	≤ 2.4	≥ 50	双线圈 双稳态 Double Coils Latching	32.1/32.1	约 Approx. 0.28
5	≤ 4	≥ 50		89.3/89.3	
6	≤ 4.8	≥ 50		129/129	
9	≤ 7.2	≥ 50		289/289	
12	≤ 9.6	≥ 50		514/514	
24	≤ 19.2	≥ 50		2056/2056	
额定电压 Rated Voltage VDC	动作电压 Set Voltage VDC	释放电压 Reset Voltage VDC	线圈电阻 Coil Resistance $\Omega \pm 10\%$		线圈功耗 Coil Power W
3	≤ 2.4	≥ 0.3	单稳态 线圈	32.1	约 Approx. 0.28
5	≤ 4	≥ 0.5		89.33	
6	≤ 4.8	≥ 0.6		129	
9	≤ 7.2	≥ 0.9		289	
12	≤ 9.6	≥ 1.2		5144	
24	≤ 19.2	≥ 2.4		2056	

订货标记示例 ORDERING INFORMATION

	ML601	-S	-1A	-L1	-R	F	XXX
产品型号	ME106						
封装形式	S: 塑封型 Sealed						
触点形式	1A: 一组常开 1B: 一组常闭 2A: 二组常开 2B: 二组常闭 1AB: 一组常开一组常闭						
线圈类型	无: 单稳态 L1: 单线圈 L2: 双线圈						
极性特点	无: 标准极性 R: 反极性						
绝缘等级	F: F级						
特殊型号	XXX: 特殊要求						

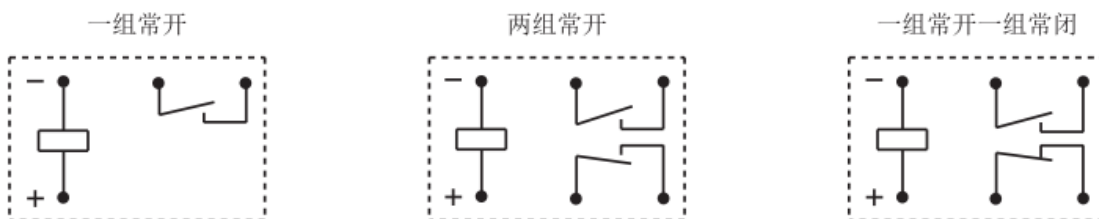
外形图、线圈接线图 OUTLINE DIMENSIONS、WIRING DIAGRAM

外形图 Outline Dimensions

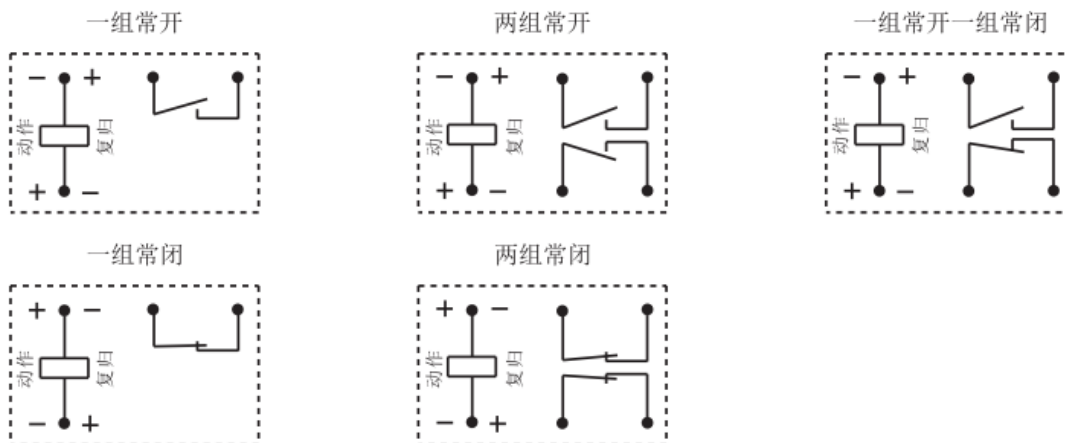


线圈接线图 Wiring Diagram

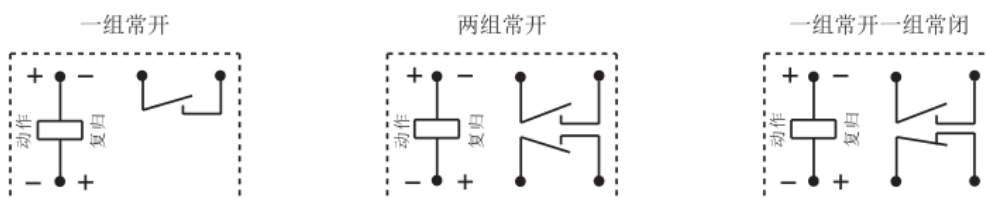
单稳态



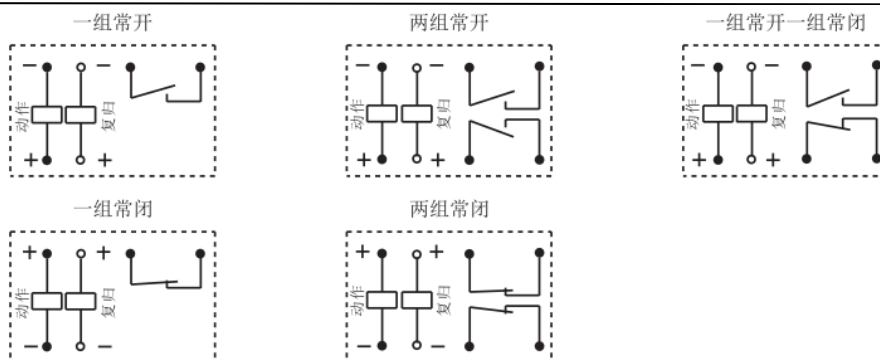
单线圈双稳态 (标准极性)



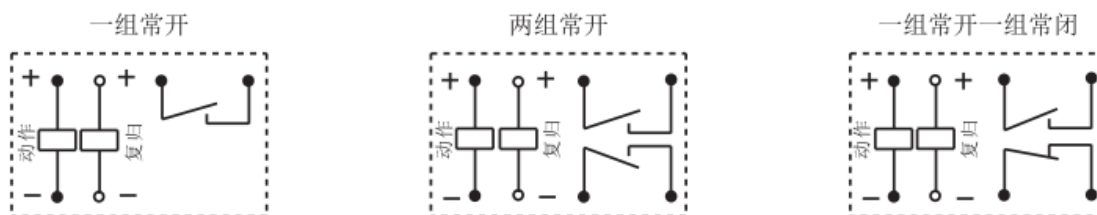
单线圈双稳态 (反极性)



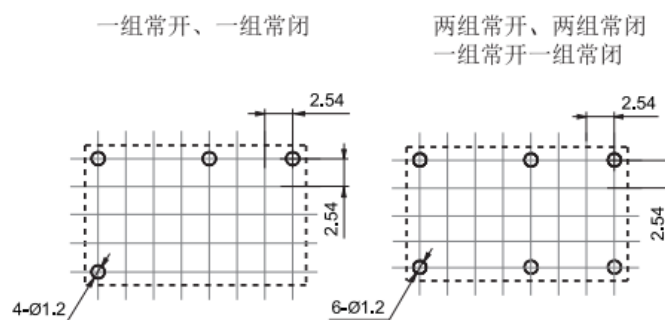
双线圈双稳态 (标准极性)



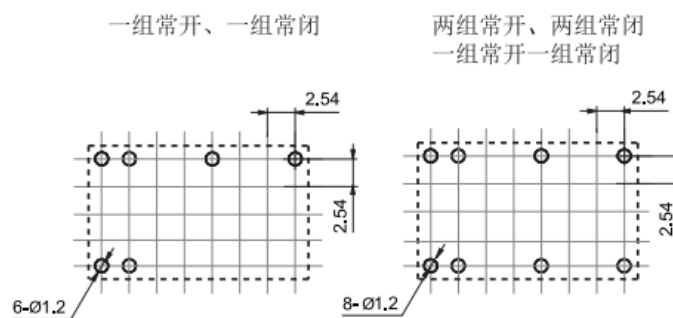
双线圈双稳态（反极性）



单稳态、单线圈双稳态安装孔尺寸



双线圈双稳态安装孔尺寸



注意事项:

- 1、磁保持继电器出厂状态为动作或复归状态，但因运输或继电器安装时受到冲击等因素的影响，可能会改变状态，因而使用时（电源接入时）请根据需要重新将其设置为复归状态或动作状态；
- 2、为了确保磁保持继电器动作或复归，施加到线圈上的激励电压须达到额定电压，脉冲宽度须大于动作或复归时间的 5 倍；不要同时向动作线圈和复归线圈施加电压；不要长时间（大于 1 分钟）向线圈施加电压；
- 3、不带软铜绞线的磁保持继电器负载引出脚不能焊锡，不能随意扳动。
- 4、继电器通常为防尘罩结构，外接件按照客户特殊要求定制，所以推荐此产品的储存时间小于 6 个月，并注意仓储环境；同时为保证产品接触可靠性，在客户没有特别申明的情况下，我司将控制继电器触点为闭合状态。



NOTICE

1. Relay is on the "reset" or "set" status when being released from stock, with the consideration of shock risen from transit and relay mounting, relay would be changed to "reset" or "set" status, therefore, when application(connecting the power supply), please reset the relay to "reset" or "set" status on request.
2. In order to maintain "reset" or "set" status, energized voltage to coil should reach the rated voltage, impulse width should be 5 times more than "reset" or "set" time. Do not energize voltage to "reset" coil and "set" coil simultaneously. And also long energized time(more than 1min)should be avoided.
3. The terminals of relay without twisted copper wire can not be tin-soldered, can not be moved willfully, more over two terminals can' t be fixed at the same time.
4. Relays used for metering measuring applications are usually made with dust proof structure, while most relays could be made specially per customer' s specific requirements. No longer than 6 months' storage time is recommended for this kind of relay, and please pay attention to the storage environment. To ensure contact reliability, we will keep contact status be closed when delivery if no special required by customer.